

Skateboard Deterrents



A cost effective way to prevent the damage caused by skateboarders to walls, benches, planters and other architectural features.



KEY FEATURES

- Designed to handle the large impact forces encountered when coming into contact with skateboards
- Can be installed on chamfered and square edges
- Non-specialised workers can easily install or CTA can install if required
- Available in a multitude of styles including dome or cylindrical knobs, square faced or bull-nosed mountable ribs and recessed blades
- Custom sizes, styles and colours can be manufactured

MATERIAL

Manufactured from 316 marine grade stainless steel or tempered aluminium, they are available with a mill finish, or can be clear anodized. Where an anodised or powder coated finish is required a full spectrum of attractive colours, including safety colours can be specified.

APPLICATIONS

Easy to install over most substrates, including timber, concrete, brick and steel.

DIMENSIONS

Designed with large 30mm long fixing spigots for extra strength and security.

INSTALLATION

All CTA skateboard deterrent products are easy to install and can be completed by non-specialised worker. They are secured by pre-drilling and use of an epoxy adhesive. Comprehensive instructions are supplied with the product.

COMPLIANCE

All CTA products conform with the requirements of the Australian standards.

WARRANTY

CTA provides a comprehensive warranty, in accordance with our published warranty statement which can be viewed on www.ctagroup.com.au.

See next page for full details

CALL CTA ON 1300 282 282
TO ARRANGE A MEETING WITH A SALES CONSULTANT

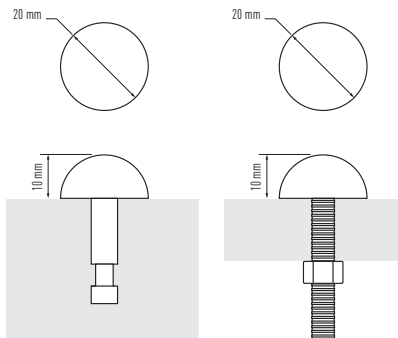
VICTORIA | NEW SOUTH WALES | QUEENSLAND | WESTERN AUSTRALIA



PRODUCT OPTIONS - DOMES AND BARS



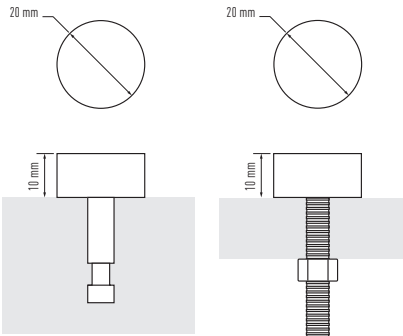
SMALL DOME



CODE: CPSBDR20-002-SS

CODE: CPSBDR20-003-SS

SMALL CYLINDER

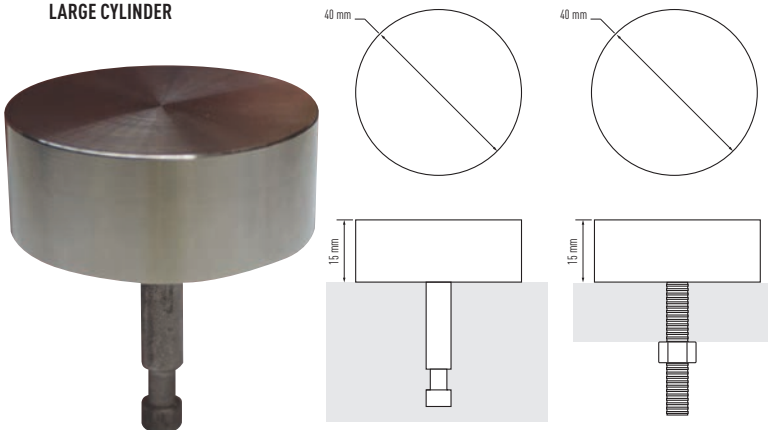


CODE: CPSBDC20-002-SS

CODE: CPSBDC20-003-SS



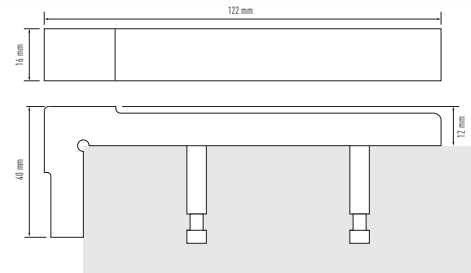
LARGE CYLINDER



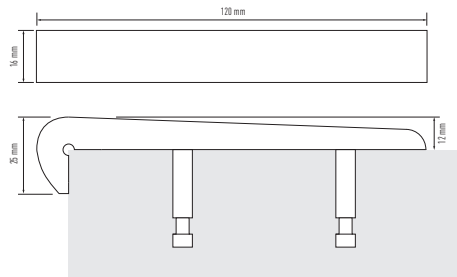
CODE: CPSBDC40-002-SS

CODE: CPSBDC40-003-SS

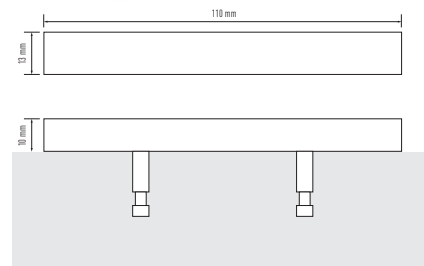
SQUARE NOSED
PRODUCT CODE: CPSBDLS20-002-SS



BULL NOSED
PRODUCT CODE: CPSBDLR20-002-SS



RECTANGLE
PRODUCT CODE: CPSBDLB20-002-SS



CALL CTA ON 1300 282 282
TO ARRANGE A MEETING WITH A SALES CONSULTANT

VICTORIA | NEW SOUTH WALES | QUEENSLAND | WESTERN AUSTRALIA



WWW.CTAGROUP.COM.AU

PRODUCT OPTIONS - FINS



CTA Fin style skateboard deterrents are manufactured from 316 Marine Grade stainless steel with a high polish finish. They are designed for clean, accurate and easy installation with no damage to the substrate.

CUSTOM PRODUCTS

If CTA's standard range of skateboard deterrent products are not appropriate, CTA will design a skateboard deterrent to meet your specific demands with no minimum setup costs.

CTA COMPLETE CARE MAINTENANCE

Asset owners have a Duty of Care responsibility to maintain access product within design performance parameters. CTA offers a fully integrated maintenance program which includes regular scheduled maintenance and replacement of worn components where necessary.

CTA INSTALLERS

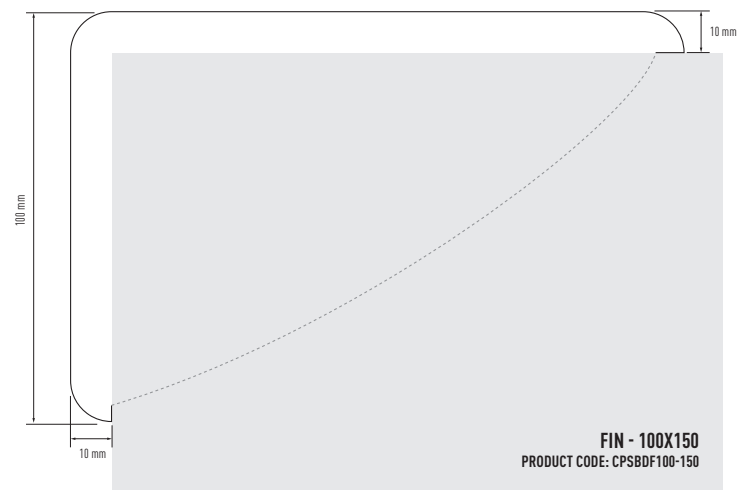
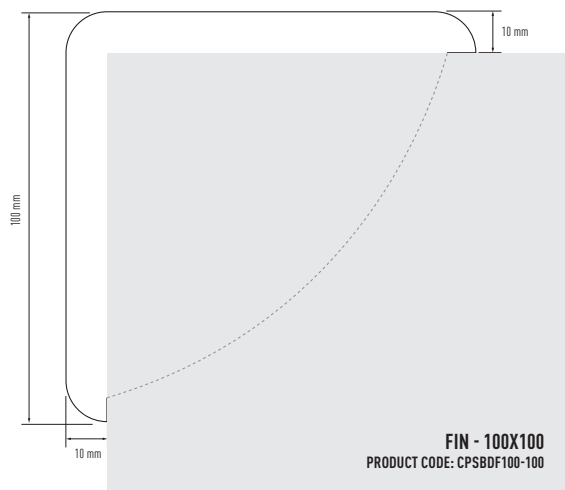
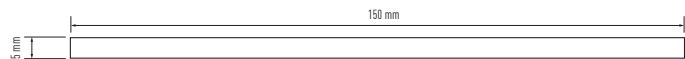
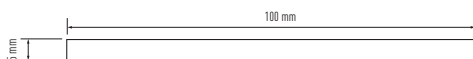
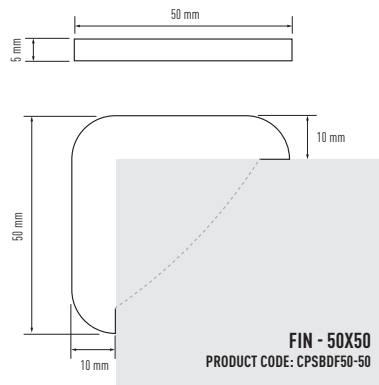
CTA's accredited installers are available to do the installation work for you – with short turnaround times and guaranteed workmanship. Our installation team is the largest and most experienced in the nation, so you can rest assured you are in safe hands.

DIY INSTALLATION

CTA will supply comprehensive installation instructions for all Skateboard deterrent products so you can be confident when installing yourself.

MORE INFORMATION

Product Installation, list of Approved Products and Material Safety Data Sheets are available upon request.



CALL CTA ON 1300 282 282
TO ARRANGE A MEETING WITH A SALES CONSULTANT

VICTORIA | NEW SOUTH WALES | QUEENSLAND | WESTERN AUSTRALIA

