

# Speed Humps

**TWELVE  
MONTH**  
MANUFACTURERS  
WARRANTY

AS/NZS  
**2890**  
COMPLIANT

**DIY**  
INSTALL

**ISO**  
GUARANTEE

Designed to reduce vehicle speed and create a safe environment for pedestrians and other road users



## KEY FEATURES

- Conform to the Australian Standards AS2890.1
- Designed to suit any length
- Manufactured from engineered products and specifications to ensure fitness for purpose
- Guaranteed to perform in Australian conditions
- Manufactured from premium grade materials to ensure long service life
- Portable version for temporary use

CTA produce premium recycled rubber and heavy duty steel speed humps, both meet Australian Standard AS2890.

The recycled rubber product is perfect for areas such as car parks, educational facilities and shopping centres. The heavy duty steel product is suitable for truck loading docks and transport depots. To complement CTA's rubber and

steel traffic calming solutions, we also offer a portable speed hump. The portable version is ideal as a temporary measure to slow traffic during road works or events.

All CTA designed speed humps are built to exacting standards using high quality materials, they are easy to install and are supplied with all the necessary fixings.

## CTA INSTALLERS

CTA's accredited installers are available to do the installation work for you – with short turnaround times and guaranteed workmanship. Our installation team is the largest and most experienced in the nation, so you can rest assured you are in safe hands.

## MORE INFORMATION

Product Installation, list of Approved Products and Material Safety Data Sheets are available upon request.

*See next page for full details*

**CALL CTA ON 1300 282 282**  
TO ARRANGE A MEETING WITH A SALES CONSULTANT  
VICTORIA | NEW SOUTH WALES | QUEENSLAND | WESTERN AUSTRALIA

**CTA**  
WWW.CTAGROUP.COM.AU

**COMPLIANCE**

All CTA products conform with the requirements of the Australian standards.

Please consult with your CTA representative for relevant information:

- AS2890 - Parking Facilities
- NCC - National Construction Codes

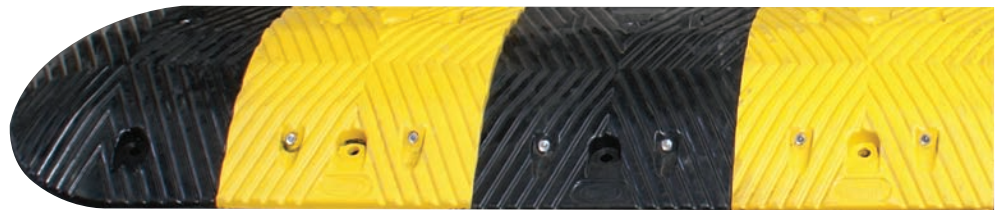
**WARRANTY**

CTA provides a comprehensive warranty, in accordance with our published warranty statement which can be viewed on [www.ctagroup.com.au](http://www.ctagroup.com.au)

**CTA COMPLETE CARE MAINTENANCE**

Asset owners have a Duty of Care responsibility to maintain access product within design performance parameters. CTA offers a fully integrated maintenance program which includes regular scheduled maintenance and replacement of worn components where necessary. Please contact your CTA representative for information on our "Complete Care Program."

**RUBBER SPEED HUMPS**



CTA premium recycled rubber speed humps are the perfect traffic calming solution for light traffic areas such as carparks and shopping centres.

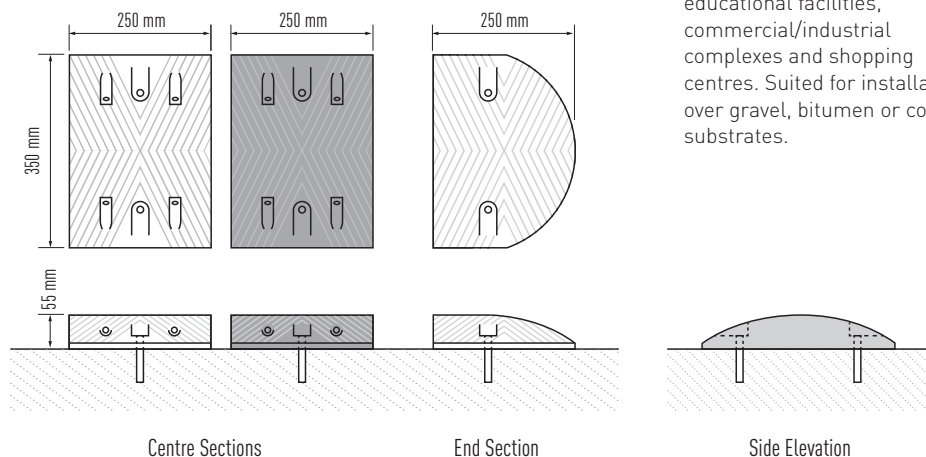
Rubber speed humps exhibit excellent strength, load bearing capacity and UV stability, all at a low cost. They are also extremely versatile, durable, light weight and easy to transport.

Available in 250mm segments in Black or Yellow, they can be configured to any length and curved end-caps are available. Inset reflective cats eyes provide even greater visibility.

**PRODUCT OPTIONS**

SECTION TYPE	WIDTH	WEIGHT	COLOUR	PRODUCT CODE
Middle	250mm	4.3kg	Yellow	CPSH112-002
Middle	250mm	4.3kg	Black	CPSH160-002
End Piece	250mm	3.2kg	Yellow	CPSHEP112-002
End Piece	250mm	3.2kg	Black	CPSHEP160-002

**PRODUCT DETAILS**



**PRODUCT DATA**

Load Rating	5 tonne/axel
Weight - Centre Section	4.3kg
Weight - End Section	3.2kg
Size	250 x 350 x 55
AS 2890 Compliant	Yes
Materials	Recycled Rubber
UV Stable	Yes
Warranty	1 Year
Life Expectancy	5+ years
Indoor Use	Yes
Outdoor Use	Yes

**APPLICATIONS**

CTA rubber speed humps are perfect for car parks, educational facilities, commercial/industrial complexes and shopping centres. Suited for installation over gravel, bitumen or concrete substrates.

**CALL CTA ON 1300 282 282**  
**TO ARRANGE A MEETING WITH A SALES CONSULTANT**

VICTORIA | NEW SOUTH WALES | QUEENSLAND | WESTERN AUSTRALIA



## HEAVY DUTY METAL SPEED HUMPS



Metal speed humps will always outperform all other categories of speed humps. The extreme performance of steel speed humps required at truck loading bays is testimony to this. CTA metal speed humps are manufactured from 6mm thick chequer plate and are rated at a staggering 50 tons. This means they can easily handle loads applied by "B" Doubles. Conforms to all aspects of the Australian standards.

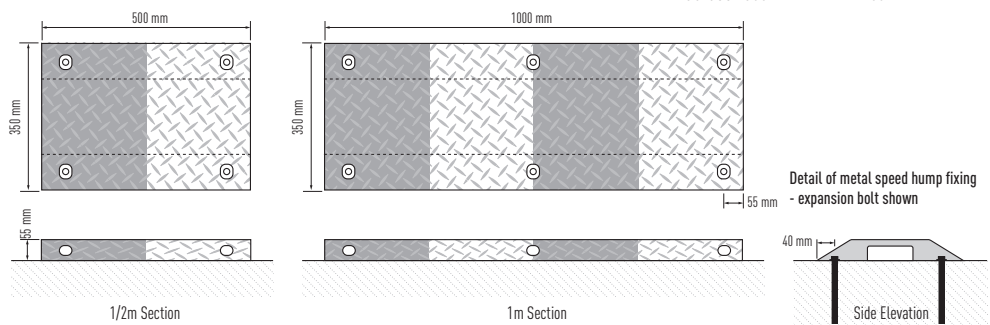
### APPLICATIONS

Designed for heavy duty applications including truck loading bays, transport depots and factories.

### PRODUCT OPTIONS

SECTION TYPE	WIDTH	WEIGHT	FIXING POINTS	PRODUCT CODE
1/2m	500mm	10.5kg	4	CPSHM112/160x500
1m	1000mm	18.5kg	6	CPSHM112/160x1000

### PRODUCT DETAILS



### INSTALLATION

For bitumen, 300mm spikes are supplied. To install, a spike is driven into the substrate through each of the locating points. For concrete surfaces, each section is supplied with 12mm expansion bolts. A hole is drilled in the substrate aligning with each locating point, the expansion bolt is then inserted and tightened.

## PORTABLE SPEED HUMPS

Manufactured from recycled rubber - the CTA portable speed hump is perfect when a temporary solution is needed to slow traffic. They are particularly suited for short term use during road works and events, where they provide both a visual and physical deterrent to speeding drivers who otherwise disregard temporary speed signage.

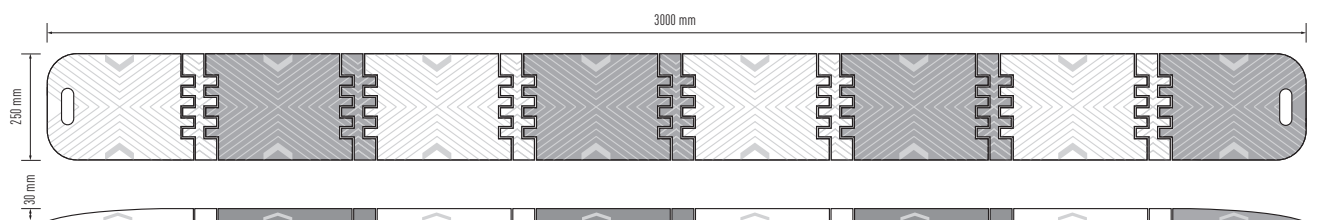
These speed humps are hard wearing and resistant to weather, and equally effective on asphalt and gravel surfaces. They are supplied in a handy carry bag and can be quickly installed by simply rolling them out to the desired length.

### PRODUCT DATA

Load Rating	3 ton
AS 2890 Compliant	Yes
Materials	rubber
UV Stable	Yes
Life Expectancy	10+ years
Indoor Use	Yes
Outdoor Use	Yes



FOLDED SIZE	EXTENDED SIZE	WEIGHT	COLOUR	CODE
350x320x250	3000x30x250	10.5kg	Yellow and Black	CPPSH-3500



**CALL CTA ON 1300 282 282**  
**TO ARRANGE A MEETING WITH A SALES CONSULTANT**

VICTORIA | NEW SOUTH WALES | QUEENSLAND | WESTERN AUSTRALIA

**CTA**  
 WWW.CTAGROUP.COM.AU

THE INFORMATION IN THIS BROCHURE IS CORRECT AT THE TIME OF PRINTING. THE CONTENTS OF THIS DOCUMENT REMAIN THE PROPERTY OF CTA AUSTRALIA PTY LTD. AND ARE PROVIDED FOR CTA CUSTOMERS ONLY. ALL INFORMATION INCLUDING ALL TEXT AND IMAGES MUST NOT BE COPIED WITHOUT PRIOR APPROVAL IN WRITING FROM CTA AUSTRALIA PTY LTD.

**CALL CTA ON 1300 282 282**  
TO ARRANGE A MEETING WITH A SALES CONSULTANT



[WWW.CTAGROUP.COM.AU](http://WWW.CTAGROUP.COM.AU)